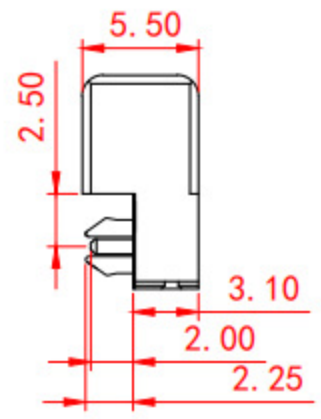
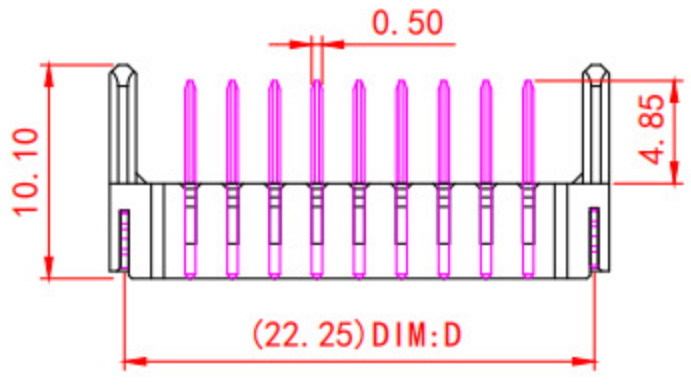
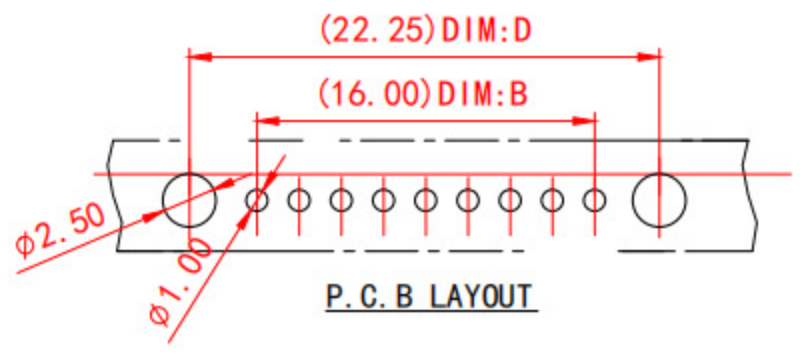
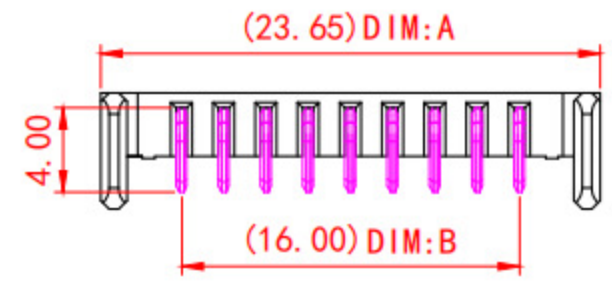


REV.	ECN NO.	DESCRIPTION	DESIGN	DATE
A		INITIAL	Kai	2018.03.29



No: of pins	Dimension			
	DIM. A	DIM. B	DIM. C	DIM. D
03	11.65	4.00	9.15	10.25
04	13.65	6.00	11.15	12.25
05	15.65	8.00	13.15	14.25
06	17.65	10.00	15.15	16.25
07	19.65	12.00	17.15	18.25
08	21.65	14.00	19.15	20.25
09	23.65	16.00	21.15	22.25
10	25.65	18.00	23.15	24.25
11	27.65	20.00	25.15	26.25
12	29.65	22.00	27.15	28.25
13	31.65	24.00	29.15	30.25
14	33.65	26.00	31.15	32.25
15	25.65	28.00	33.15	34.25



NOTE:
Material
Insulator:Nylon 9T(UL94V-0)
Contact:phosphor Bronze
Contact Plated:Gold over Nickel or Tin
Specification
Rated voltage: 12V 30V
Current rating: 3A 5A
instant CURRENT:7A
Contact Resistance:30MΩ
Insulation Resistance:100MΩ
Dielectric Voltage:1000V
Operdting Temperature:-40~105°

ITEM	PART NAME	Q'TY	MATERTAL	DESCRIPTION	REMARK
②	HOUSING	1	LCP		BLACK
①	CONTACT A	2	PHOSPHOR BRONZE 0.20T	Au PLATED	

UNLESS OTHERWISE SPECIFIED TOLERANCES

DECIMALS:		ANGLES:		DWG NO.	PART NAME:
DIM	TOL	DIM	TOL	DESIGN:	PART NO.
X.	±0.50	X.	±2°	CHECK:	REV. UNIT: SHEET:
X.X	±0.30	X.X	±1°	APPROVED	A mm 1/1
X.XX	±0.20	X.XX			
X.XXX	±0.10	X.XXX			

东莞市高迪电子有限公司